

# 2D Barcode Scanner

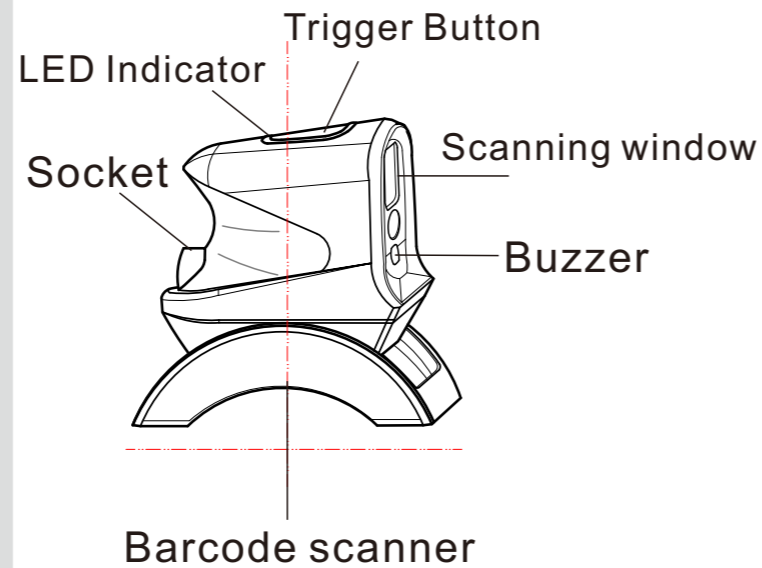
## Quick Start Guide



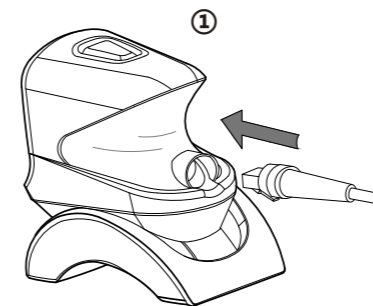
- Contents:
- Barcode Scanner
  - Quick Start Guide
  - warranty card
  - Certificate
  - USB / RS232 Cable
  - Power Adapter (RS232)

No. : 75050112

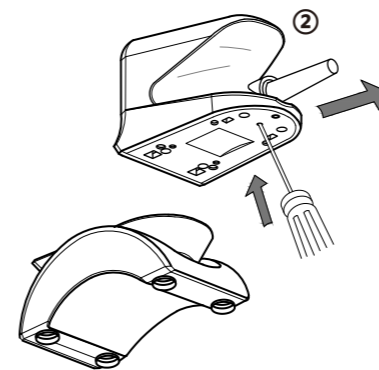
### 1 Overview scanner



### 2 Data cable plug



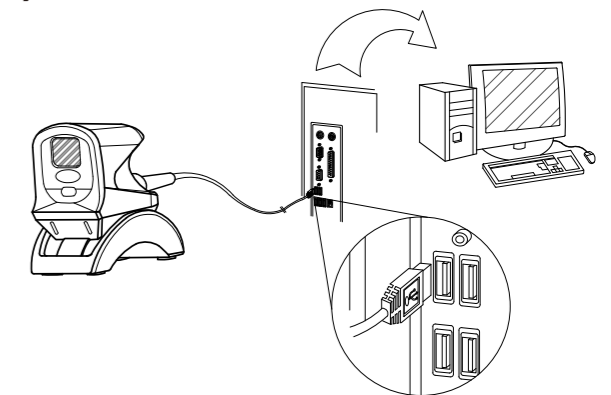
① Plug as picture above



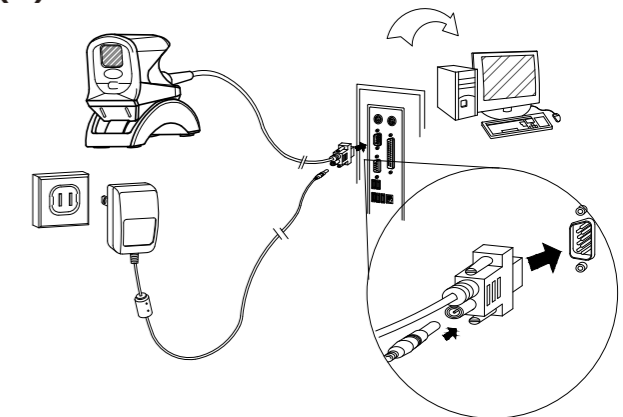
② Press the buckle click, then pull out the cable

### 3 Data cable connection method

(1).USB Cable

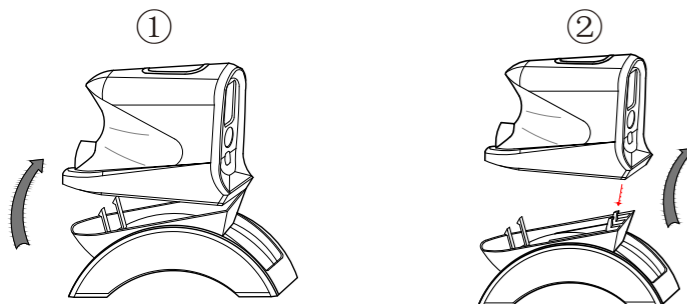


(2).RS232 Cable



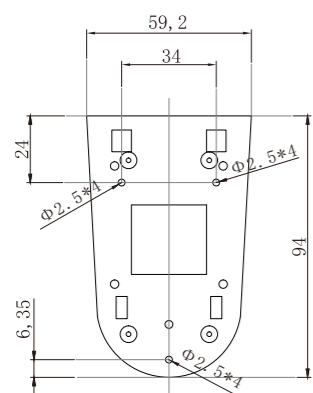
### 4 Stationary use

(1)Removing the Base

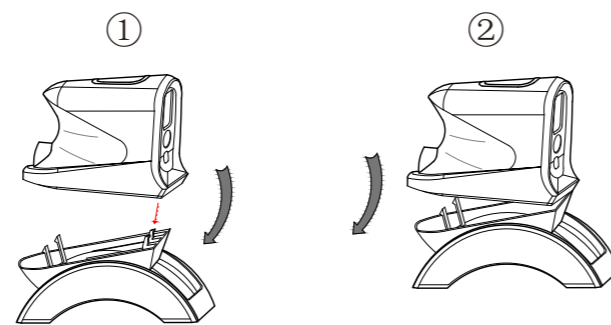


First carried out ①, and then ②

(2)Fixed scanner hole locations



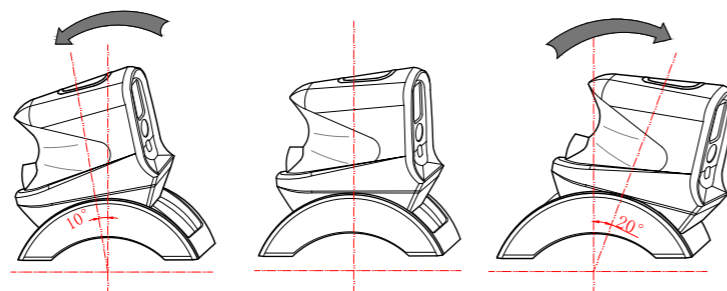
### 5 Base Installation Diagram



First carried out ①, and then ②

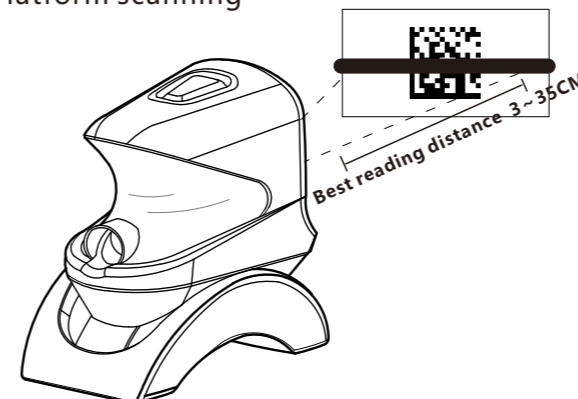
### 6 Adjustable angle diagram

To use easily, the scanner can be adjust the angle as below.

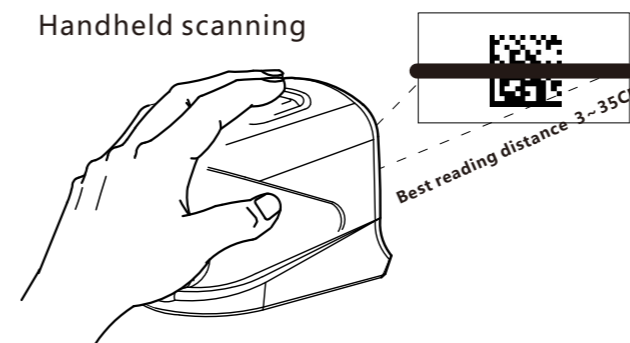


### 7 Scanning and distance

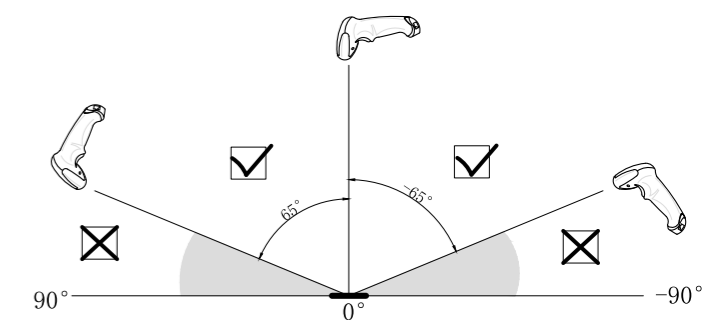
Platform scanning



Handheld scanning



### 8 Scanning angle and method



The aiming beam of the scanner should focus on the top of the bar code, but it can read in from any direction.

If the bar code is highly reflective, try to whirl some angle but not scan vertically.

# Barcode Settings

## Setting Step

1

Scan the barcode of "Enter setting"



Enter Settings ( &%SET )

2

Scan function bar code  
( Support multiple scanning setting barcodes )



Serial Output ( &A0000 )

3

Scan "Exit and Save" Barcode



Exit and save ( &%END )

## ① Restore factory default



Restore factory defaults ( &DF )

**Note:** 1. Restore factory default will not change interface Mode.Refer to Interface Mode Selection for setting interface  
2. With "\*" in bold means factory default parameter.

## ② Interface Mode Selection

Setting step as below with function barcodes when using RS232 to transfer data



Serial Output ( &A0000 )

**Note:** Terminal should have software to transfer data when using RS232,not cursor position.

Setting step as below with function barcodes when using USB to transfer data



**\*USB HID Keyboard ( &A0001 )**

Setting step as below with function barcodes when using RS485 to transfer data



RS485 ( &A0004 )

## ③ Auto trigger



**Disable auto trigger ( &H0000 )**



**\*Enable auto trigger ( &H0001 )**

## ④ Set Suffix



Disable suffix ( J2000 )



**\*0x0D as suffix ( J2001 )**



0x0D 0x0A as suffix ( J2003 )

## ⑤ Baud rate

When using RS232 serial port to transmit the data, the baud rate of the scanner and the receiving end should be same, so that it can upload the data. Choose the baud rate bar code same as the software baud rate.



2400



4800



**\*9600**

## Baud rate ( 2 )



19200



38400



57600



115200

## Lights Indicator

### LED Indication

Red & blue lights On  
Red lights blinking

### Explanation

Standby Status  
Decoding Successfully

## Buzzer

Continuous Beep  
One Beep

Successfully parameter setting  
Decoding Successfully